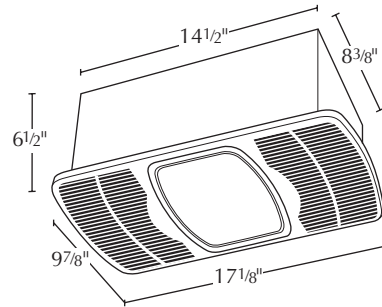


Heat / Light Combination Unit
 120 Volts, 14.1 amps, 60 hz.

- Grill**
 White, polymeric grill (flame retardant ABS UL rated 94-5V) secured in place using 2 philips head screws easily removed if necessary, dimensions - 17¹/₈" x 9⁷/₈".
- Light Lens**
 Durable high impact polycarbonate lens. Secured in place using integral tabs.
- Blower Wheel**
 Heater blower wheel - one piece metal electronically balanced, 3¹/₁₆" x 2" with 28 fins.
- Motor**
 Heater motor - Heavy duty, plug in 2 pole motor. Life time lubrication, thermally protected. Rated 120 volts, 60 hz., 0.90 amps., 2400 rpm.
- Heater Housing**
 23 gauge galvanized steel housing. Dimensions 14¹/₂" x 8³/₈" x 6¹/₂".
- Heating Element**
 Wire coil, secured in place by ceramic "J" shaped hooks and terminated by bolt and nut in cylindrical standoffs. Housed in an all metal enclosure. Rated 1500 watts - 5120 Btu.
- Lamping Information**
 Main Lighting: 100 watt maximum, type A19, Medium base bulb
 Night Lighting: 7 watt maximum, type C7, Candelabra base bulb



CUL - TYPE IC RATED

- Unit Mounting**
 Designed for ceilings insulated to R-40. Designed to mount in ceilings with at least 6.5" of clearance. The unit will mount between joists (with 16" centers) or butted up against a joist. The housing will mount through drywall thickness up to 3/4", with a rough in opening of 14³/₄" x 8⁵/₈".
- Single Pack Shipping Info**
 Box Dim: 19" x 10¹/₂" x 8⁷/₈"
 UPC: 0-8316229610-8
 Shipping Weight: 13 lbs.

PROJECT							ARCHITECT			
LOCATION							ENGINEER			
CONTRACTOR							SUBMITTED BY		DATE	
FAN NUMBER	MODEL NUMBER	CFM	IN W.G.	RPM	WATTS	AMPS	SONES	QTY	OPTIONAL EQUIPMENT & REMARKS	



U.S.: 820 Lincoln Drive
 West Chester, Pennsylvania 19380-4466
 Tel: (877)-304-3785
 Fax: (610) 696-8048

Canada: 110 Glidden Road
 Brampton, Ontario L6T 2J3
 Tel: (905) 456-2033
 Fax: (905) 456-1015